



OFFSHORE LIFTBOATS

LIFTBOAT "KRISTIN FAYE"

Class 105'
USCG CERTIFIED
Official No.: 548383

DIMENSIONS

Overall Length	70'
Length (Hull Only)	65'
Overall Beam	44'
Beam (Hull Only)	32'
Hull Depth	6'

CHARACTERISTICS

Open Deck	1,000 sq. ft.
Maximum Deck Capacity (Afloat)	90,000 lbs.
Maximum Deck Capacity (Elevated)	120,000 lbs.
Deck Strength (max, point load)	750 lbs./sq. ft.

LEGS

Quantity	3
Length	105'
Diameter	30" O.D.
Wall Thickness	1/2"

PADS

Length	20' - 8"
Width	7' - 8"
Depth	24"

CRANES

Quantity	2
Capacity of Port Crane	15 Tons
Boom Length	70 Tele.
Capacity of Stbd. Crane	5 Tons
Boom Length	50' Fixed

GENERATORS

Two (2) 40KW Isuzu

GROSS TONNAGE

Under 100

LIVING QUARTERS

Berths	11
Satellite TV & Central Air and Heat	
Heads	3
Showers	3
Galley Seats	6
Refrigerators	2
Freezers	2
Ice Maker	Yes
Range	Yes
Washer & Dryer	Yes

COMMUNICATION/NAVIGATION

VHF Radio	Yes
GPS	Yes
Radar	Yes

PROPULSION

(2) Main Engines Detroit Diesel	Yes
Estimated Speed (knots)	8.0

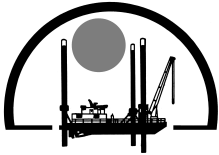
WORKING CONDITIONS

Maximum Water Depth	60'
Maximum Jacking Seas	5'

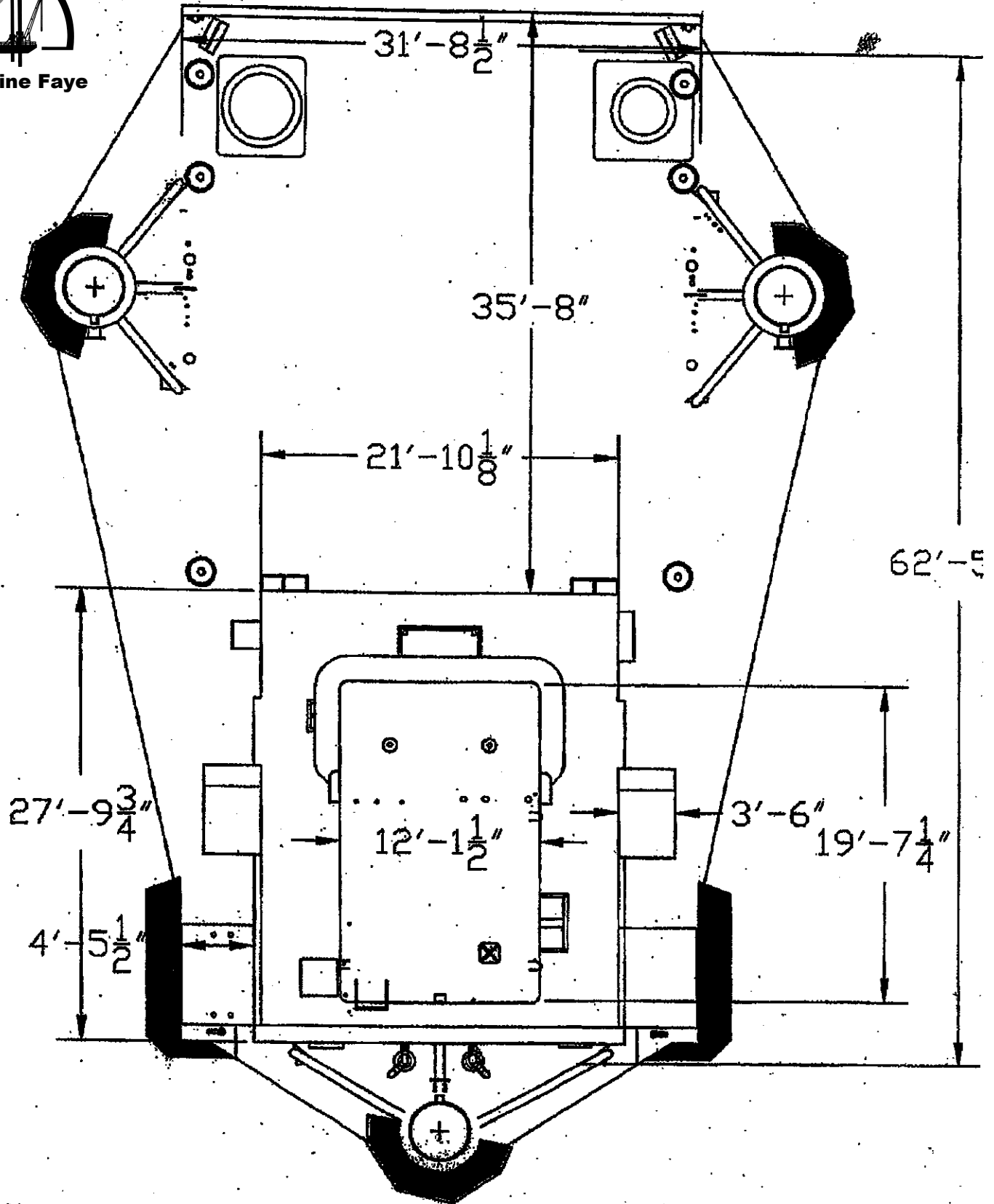
CAPACITIES

Fuel	1300 Gal.
Potable Water	1900 Gal.





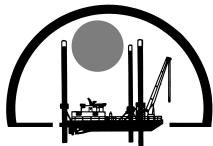
L/B Kristine Faye



Drawn By	Drawing Date	Approved By	Approval Date	Sheet No.	Rev.
NAME	DATE	NAME	DATE	S. #	REV

Overhead Profile
Kristin Faye

Drawn By
1284



L/B Kristine Faye

MODEL TC30-40-70 40 FT. RETRACTED API LOAD CHART (U.S. CUSTOMARY UNITS)

REACH (FT.)	BOOM ANGLE (DEG.)	DYNAMIC LOAD (LBS.)	STATIC LOAD (LBS.)
10	75.5	34900	53050
15	68.5	25550	39025
20	60	19850	30475
25	52.5	16400	25300
30	43	13650	21175
35	31	11200	17500
40	0	6650	10675

API PEDESTAL REACTIONS

MAXIMUM OTM = 1,620,400 FT. LBS.

CORRESPONDING AXIAL FORCE = 66,270 LBS.

MAXIMUM AXIAL FORCE = 137,380 LBS.

CORRESPONDING OTM = 1,163,500 FT. LBS.

BASIC CRANE WEIGHT = 28,478 LBS.

(REACTIONS @ 3 X DYNAMIC RATED LOAD)

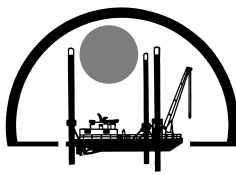
(OTM = OVERTURNING MOMENT)

MODEL TC30-40-70 50 FT. EXTENDED API LOAD CHART (U.S. CUSTOMARY UNITS)

REACH (FT.)	BOOM ANGLE (DEG.)	DYNAMIC LOAD (LBS.)	STATIC LOAD (LBS.)
10	78	20300	20300
15	72.5	20300	20300
20	66.5	18900	20300
25	60	15350	20300
30	53.5	12950	20125
35	46	11000	17200
40	37.5	9400	14800
45	27	7900	12550
50	0	4500	7450

API PEDESTAL REACTIONS

MAXIMUM OTM = 1,615,600 FT. LBS.



L/B Kristine Faye

CORRESPONDING AXIAL FORCE = 56,400 LBS.

MAXIMUM AXIAL FORCE = 95,100 LBS.

CORRESPONDING OTM = 1,085,300 FT. LBS.

BASIC CRANE WEIGHT = 28,478 LBS.

(REACTIONS @ 3 X DYNAMIC RATED LOAD)

(OTM = OVERTURNING MOMENT)

MODEL TC30-40-70 60 FT. EXTENDED API LOAD CHART (U.S. CUSTOMARY UNITS)

REACH (FT.)	BOOM ANGLE (DEG.)	DYNAMIC LOAD (LBS.)	STATIC LOAD (LBS.)
10	80	20100	20100
15	75.5	19850	20100
20	70.5	16000	20100
25	65.5	13350	20100
30	60	11350	17725
35	54.5	9850	15475
40	48.5	8600	13600
45	42	7700	12250
50	34	6650	10675
55	25	5600	9100
60	0	2950	5125

API PEDESTAL REACTIONS

MAXIMUM OTM = 1,600,700 FT. LBS.

CORRESPONDING AXIAL FORCE = 52,650 LBS.

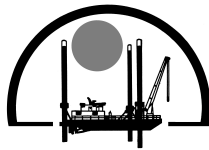
MAXIMUM AXIAL FORCE = 92,250 LBS.

CORRESPONDING OTM = 1,030,300 FT. LBS.

BASIC CRANE WEIGHT = 28,478 LBS.

(REACTIONS @ 3 X DYNAMIC RATED LOAD)

(OTM = OVERTURNING MOMENT)



**MODEL TC30-40-70 70 FT. EXTENDED
API LOAD CHART (U.S. Customary Units)**

REACH (FT.)	BOOM ANGLE (DEG.)	DYNAMIC LOAD (LBS.)	STATIC LOAD (LBS.)
10	81.5	20100	20100
15	77.5	16850	20100
20	73	12100	18850
25	69	10050	15775
30	64.5	8400	13300
35	60	7100	11350
40	55.5	6200	10000
45	50	5250	8575
50	44.5	4600	7600
55	38.5	4050	6775
60	31.5	3600	6100
65	22.5	3200	5500
70	0	1800	3400

API PEDESTAL REACTIONS

MAXIMUM OTM = 1,411,700 FT. LBS.

CORRESPONDING AXIAL FORCE = 42,290 LBS.

MAXIMUM AXIAL FORCE = 92,980 LBS.

CORRESPONDING OTM = 680,770 FT. LBS.

BASIC CRANE WEIGHT = 28,478 LBS.

(REACTIONS @ 3 X DYNAMIC RATED LOAD)

(OTM = OVERTURNING MOMENT)

IN ACCORDANCE WITH API-2C, VALUES SHOWN ARE ACTUAL HOOK LOADS (WEIGHT OF BLOCK AND HOOK EXCLUDED).

LOAD LINE BLOCK WEIGHT IS 1300 LBS.

LOAD LINE (4 PART LINE): 1" 6x25 EIPS IWRC; 100,000 LB. BREAKING STRENGTH; 20,000 LB. WORKING STRENGTH.

FAST LINE BLOCK IS 100 LBS.

FAST LINE (1 PART LINE): 9/16" 19x7 EIPS IWRC; 25,000 LB. BREAKING STRENGTH; 5000 LB. WORKING STRENGTH.

STATIC LOAD = 1.5 x DYNAMIC LOAD